



## Audible Visible Accessories

*System Sensor offers a wide range of Audible Visible (AV) accessories to enable you to meet a variety of application requirements.*



### Features

#### MP120K Mounting Plate

- Designed for both indoor and outdoor use
- Plug-in design eliminates ground faults
- Power supply that converts 120 VAC to nominal 24 V FWR
- Compatible with all two-wire SpectrAlert Advance® devices

#### Color Lens Attachments

- Easily turns any device into a strobe for ECS/MNS events: severe weather, toxic gases, sprinkler activation and more
- Outdoor rated from -35°F to 151°F
- Wall- or ceiling-mount lenses available
- UL 1638 listed

#### WTP Weatherproof Plates

- Enables flush mounting of outdoor devices to brick, ceramic tile, concrete, and masonry brick
- Weatherproof NEMA 3R rated
- For use in both indoor and outdoor applications
- For use with all K-R series (outdoor) products replacement models
- Universal mounting plate easily attaches to the weatherproof plate

### Agency Listings



S4011  
S3593



7300-1653:0195  
7300-1653:0204  
7300-1653:0222



582-06-E



The **MP120K Mounting Plate** is designed to use 120 VAC to power SpectrAlert Advance horns, strobes, horn strobes, chimes, and chime strobes.

**Color Lens Attachments** install easily on any indoor or outdoor SpectrAlert Advance strobe devices to provide distinctive visual signaling.

**WTP Series Weatherproof Plates** enable installers to flush mount outdoor horns, strobes, horn strobes, speakers, and speaker strobes to a variety of wall surfaces, including brick, ceramic tile, concrete, and masonry brick. These NEMA 3R-rated plates come in red and white to suit aesthetic and functional requirements. Compatible with our outdoor devices, which can be used in indoor and outdoor environments, as required by conditions. They easily attach to the SpectrAlert Advance universal mounting plate.

**Trim Rings** for speakers and speaker strobes allow for additional space within the backbox. Trim ring for horns, strobes, and horn strobes allow 4-wire devices to mount to a single-gang back box.

**SpectrAlert Advance Outdoor Back Boxes** ensure a NEMA 4X weatherproof listing for AV devices. In locations where you have a hard surface to mount to, **Surface Mount Back boxes** are the best solution. If you have an exposed junction box, the **Back Box Skirts** offer an attractive solution to mask the junction box exposure. **Retrofit Plates** cover paint outlines on the wall when replacing legacy SpectrAlert Advance products.

**SpectrAlert Advance DECALS** are for use on our non-pad printed wall- and ceiling-mount devices. Each decal comes with AGENT, EVAC, ALERT, or FIRE label options. The **Sync•Circuit Module** synchronizes SpectrAlert Advance strobes at 1 Hz and horns and chimes at temporal 3 over a single pair of wires. Patented module technology also allows the silencing of horns or chimes on horn strobe and chime strobe models over a pair of wires. See the Sync•Circuit Datasheet for more information.

## Specifications

### MP120K

120 VAC mounting plate model MP120K shall be listed to UL 464 for fire protective signaling systems. The mounting plate shall power a two-wire SpectrAlert® Advance horn, strobe, horn strobe, chime or chime strobe from a 120 VAC supply converted to nominal 24 V FWR. For indoor applications, the mounting plate shall be installed in a 4x4x2<sup>1</sup>/<sub>8</sub> -inch junction box. For outdoor applications, the mounting plate shall be installed using the proper SpectrAlert Advance outdoor weatherproof back box and outdoor listed notification appliance.

### Compatibility

MP120K may be used with any of the following products at all horn and strobe settings: P2R, P2RH, P2RK, P2RHK, P2W, P2WH, SR, SRH, SRK, SRHK, SW, SWH, PC2R, PC2RH, PC2RK, PC2RHK, PC2W, PC2WH, SCR, SCRH, SCRK, SCRHK, SCW, SCWH, HR, HRK, HW, P2RK-P, P2RHK-P, P2WK-P, P2WHK-P, SRHK-P, SWK-P, SWHK-P, SR-P, SW-P, SRH-P, SWH-P, P2R-P, P2W-P, P2RH-P, P2WH-P, SCW-P, SCRH-P, PC2R-P, PC2W-P, PC2WH-P, SR-SP, P2R-SP, CHR, CHW, CHSR, CHSW.

### Physical/Operating Specifications

**Standard Operating Temperature** -40°F to 151°F (-40°C to 66°C)

**Humidity Range** 10 to 93% non-condensing (indoor products)

**Nominal Voltage** Regulated 120 VAC

**Operating Voltage Range** 96-132 VAC

**Current Draw From AC Line** 150 mA max.

### WTP Weatherproof Plates

The SpectrAlert Advance weatherproof plate for horns, strobes, and horn strobes shall mount to 4x4x1<sup>1</sup>/<sub>4</sub>-inch and 2x4x1<sup>1</sup>/<sub>2</sub>-inch back boxes. The weatherproof plate for speakers and speaker strobes shall mount to 4x4x2<sup>1</sup>/<sub>8</sub>-inch back boxes. The weatherproof plate may be installed on brick, concrete, ceramic tile, and masonry brick and must be used with System Sensor "K-R" series outdoor replacement models. Outdoor SpectrAlert Advance products shall operate between -40°F and 151°F.

### Physical Specifications

**Speaker Strobe** 7.25" L x 6.26" W x 3.00" D (including speaker and lens)

**Speaker** 7.25" L x 6.26" W x 1.30" D (including speaker)

**Horn Strobe** 6.90" L x 5.90" W x 2.80" D (including strobe lens)

**Horn** 6.90" L x 5.90" W x 1.60" D (including horn)

Note: WTP and WTPW are compatible with 4x4x1<sup>1</sup>/<sub>4</sub>-inch and 2x4x1<sup>1</sup>/<sub>2</sub>-inch back boxes. (Compatible with outdoor horns, horn strobes and strobes)  
WTP-SP and WTP-SPW are compatible with 4x4x2<sup>1</sup>/<sub>8</sub>-inch back boxes. (Compatible with outdoor speakers and speaker strobes)

### Models Available for Use with the Weatherproof Plates:

**WTP** HRK-R, P2RK-R, P2RHK-R, P4RK-R, SRK-R

**WTPW** P2WK-R, P2WHK-R, SWK-R, SWHK-R

**WTP-SP** SPRK-R, SPSRK-R

**WTP-SPW** SPWK-R, SPSWK-R

Note: K-R models ship without the outdoor back box. The weatherproof mounting plates are designed to be used only with K-R replacement models.

## Specifications

### Colored Lens Attachments

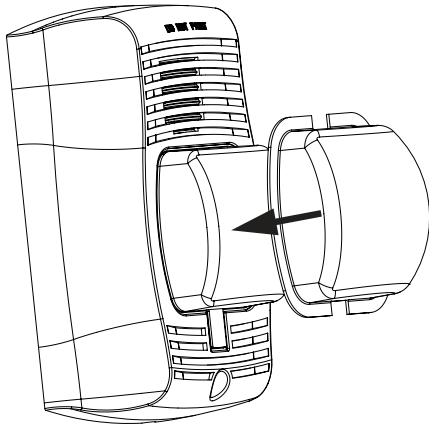
The System Sensor SpectrAlert Advance colored lens attachments shall be approved for fire protective service as listed in UL 1638. The lens attachments shall only be used with plain (no "FIRE" print) System Sensor strobe devices. The lens shall mount to any wall- or ceiling-mount strobes and shall be rated from -35°F to 151°F.

### Compatibility

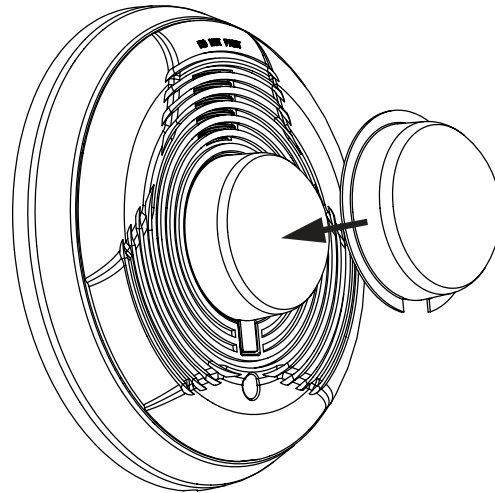
Colored lens attachments may be used with the following System Sensor plain (non-FIRE-printed) indoor or outdoor strobe models: SR-P, SRH-P, SW-P, SWH-P, P2R-P, P2W-P, P2WH-P, P4R-P, P4W-P, P2RK-P, P2RHK-P, SCW-P, PC2R-P, PC2W-P, PC2WH-P, SPSW-P, SPSR-P, SPSWH-P, SPSRH-P, SPSRV-P, SPSCW-P, SPSCWH-P, SPSCWV-P, SPSCWVH-P, SPSCWHK-P, SRK-P, SRHK-P, SWK-P, SWHK-P, P2WK-P, P2WHK-P, SPSWK-P, SPSRK-P, SW-CLR-ALERT, SCW-CLR-ALERT, SPSCW-CLR-ALERT, SEP-SW-P, SEP-SPSW-P.

## Colored Lens Installation

### Installation to Wall-Mount Strobe



### Installation to Ceiling-Mount Strobe



## Candela Rating for UL 1638

Light output of color lenses is measured per UL 1638, on axis, and is not derated.

### Strobe Output (cd)

Candela Switch Setting	On-Axis Candela Rating (UL1638) – All Colors
15	15
15/75*	NA
30	30
75	75
95	95
110	110
115	115
135	135
150	150
177	177
185	185

\*15/75 Candela setting not to be used with color lenses

## Ordering Information (continued)

Part No.	Description
<b>Metal Weatherproof Backboxes</b>	
MWBWW	white, wall-mount, compatible with: SPWK-R, SPWK, SPSWK-R, SPSWK-P, SPSWK, SPSWK-CLR-ALERT
MWBB	red, wall-mount, compatible with: SPRK-R, SPRK, SPSRHK, SPSRK-P, SPSRK, SPSRK-R
MWBBCW	white, ceiling-mount, compatible with: SPCWK, SPSCWK, SPCWK-R, SPSCWK-R, SPSCWHK, SPSCWHK-R
SA-WBBW	white, wall-mount, compatible with: P2WK, P2WHK, P2WHK-P, P2WK-P, SWK, SWK-R, SWK-P, P2WHK-R, P2WK-R, SWHK, SWHK-P, P4WK
SA-WBB	red, wall-mount, compatible with: P2RK, P2RK-P, P2RK-R, SRK, SRK-P, SRK-R, P2RHK, P4RK, P4RHK, SRHK, HRK, P2RHK-R, P2RK-R, HRK-R, P4RHK-R, P4RK-R
SA-WBBC	red, ceiling-mount, compatible with: SCRK, SCRHK, PC2RK, PC2RHK
SA-WBBCW	white, ceiling-mount, compatible with: PC2WK, PC2WHK, PC4WK, SCWK, SCWHK
<b>Surface Mount Back Box</b>	
SBBR	red, wall-mount, compatible with: HR, CHR, SR, SR-SP, SRH, P2R, P2R-SP, P2RH, P4R, P4RH, CHSR, P2R-P, SR-P, SRH-P
SBBW	white, wall-mount, compatible with: HW, CHW, SW, SWH, P2W, P2WH, P4W, P4W-P, CHSW, P2W-P, P2WH-P, SW-P, SWH-P, SW-ALERT, SWH-ALERT
SBBSPR	red, wall-mount, compatible with: SPR, SPRV, SPSR, SPSRH, SPSRV, SPSR-P, SPSRH-P, SPSRV-P
SBBSPW	white, wall-mount, compatible with: SPW, SPWV, SPSW, SPSWH, SPSWV, SPSW-P, SPSWH-P, SPSW-ALERT, SPSW-CLR-ALERT
SBBCR	red, ceiling-mount compatible with: SCR, SCRH, PC2R, PC2RH, PC4R, PC4RH, SPCR, SPCR-V, SPSCR, SPSCRH, SPSCR-V, SPSCR-VH, PC2R-P
SBBCW	white, ceiling-mount, compatible with: SCW, SCWH, PC2W, PC2W-SP, PC2WH, PC4W, SPCW, SPCWV, SPSCW, SPSCWH, SPSCWV, SPSCWVH, PC2W-P, PC2WH-P, SCW-P, SPSCW-P, SPSCWH-P, SPSCWHK-P, SPSCWV-P, SPSCWVH-P, SPSCW-CLR-ALERT, SCW-CLR-ALERT
<b>Back Box Skirts</b>	
BBS-SP201W	Surface-mount back-box skirt for the PF24V (ExitPoint™ Directional Sounder with Voice Messaging)
SEP-BBSW	Surface mount back box skirt for strobe only Expander Plate
SPSEP-BBSW	Surface mount back box skirt for speaker strobe Expander Plate

Part No.	Description
<b>Colored Lenses</b>	
LENS-B	Wall-mount, blue
LENS-R	Wall-mount, red
LENS-G	Wall-mount, green
LENS-A	Wall-mount, amber
LENS-BC	Ceiling-mount, blue
LENS-RC	Ceiling-mount, red
LENS-GC	Ceiling-mount, green
LENS-AC	Ceiling-mount, amber
<b>Decals</b>	
DECAL-R	red letters, used for non-pad-printed wall-mount devices. (10 total decals per box for 5 devices)*
DECAL-RC	red letters, used for non-pad-printed ceiling-mount devices. (15 total decals per box for 5 devices)*
DECAL-W	white letters, used for non-pad-printed wall-mount devices. (10 total decals per box) for 5 devices*
DECAL-WC	white letters, used for non-pad-printed ceiling-mount devices. (15 total decals per box for 5 devices)*
*All Decals include Labels: "AGENT, EVAC, ALERT & FIRE"	
<b>Retrofit Plates (For use with horn strobe &amp; speaker strobe devices)</b>	
RFPW	9.5" x 7" white
RFP	9.5" x 7" red
<b>Mounting Plate</b>	
MP120K	120 VAC Adapter Mounting Plate
<b>Sync Modules</b>	
MDL3W	white, 12/24 volt Sync-Circuit module.
MDL3R	red, 12/24 volt Sync-Circuit module
<b>Trim Rings</b>	
TR	red, wall-mount for use with speaker devices
TRC	red, ceiling-mount for use with speaker devices
TRCW	white, ceiling-mount for use with speaker devices
TR-HS	red, wall-mount for use with horn strobes devices
TRW	white, wall-mount for use with speaker devices
<b>Weatherproof Plates</b>	
WTPW	white, for use with horn, strobes & horn strobe devices
WTP	red, for use with horn, strobes & horn strobe devices
WTP-SPW	white, for use with speaker devices
WTP-SP	red, for use with speaker devices

