

General

The MMX-7P-E Intelligent Interface Monitor Module allows intelligent panel to interface and monitor two-wire conventional detectors. It transmits the status (normal, open or alarm) of one full zone of conventional detectors back to the control panel. The history of each event is recorded. All two-wire detectors being monitored must be compatible with the module.

MMX-7P-E Interface Module is addressable and software addressing designed, each module can be programmed from address 101 to 199 with the address encoder. MMX-7P-E Interface Module is compatible with the NOTIFIER® N-6000 Fire Alarm Control Panel (FACP), and each interface module occupies one address point in FACP. A build-in address bit (not settable) is used by the system to differentiate module address from sensor address.

Features

- Supports compatible two-wire detectors.
- Supervises IDC wiring and connection of external power source.
- High noise (EMF/ RFI) immunity.
- SEMS screws for ease of wiring.
- Locking output drive circuit.
- LED flashes during normal operation and latches steady to indicate alarm. LED light is programmable to be off, flashing, or latches steady.

Specification

- Operating Voltage : 22.2 ~ 25.5 VDC
- Standby Current : 200 μ A@24VDC (LED flashing)
- Max. Current : 5.1mA@24VDC (LED latches steady)
- EOL Resistance : 3.9K ohms
- External Supply Voltage : 16 ~ 28VDC



MMX-7P-E Interface Module

- Ripple Voltage : 0.1VRMS.
- Current : 90mA per module maximum.
- Operating Temperature : -10 ~ 50 °C
- Relative Humidity : 10% ~ 93% RH, non-condensing
- Dimensions : 114.3mm (H) × 101.6mm (W) × 31.75mm (D)

Application

MMX-7P-E interface module uses to monitor a zone of two-wire detectors. A 3.9K ohms End-of-Line Resistor (provided) terminates at the end of the circuit, maximum IDC loop resistance is 25 ohms.

Operation

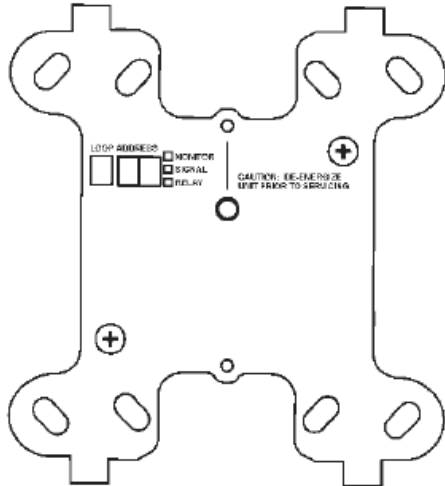
Each MMX-7P-E uses one of 99 available module addresses on an SLC loop. It responds to regular polls from the control panel and reports its type and the status (open/ normal/ short) of its Initiating Device Circuit

NOTIFIER® is registered trademark of Honeywell International Inc.

©2006 Honeywell International Inc. All rights reserved. Unauthorized use of this document is strictly prohibited.

This document is not intended to be used for installation purposes. We try to keep our product information up-to-date and accurate. We cannot cover all specific applications or anticipate all requirements. All specifications are subject to change without notice. For more information, please contact NOTIFIER. Phone: +886 (2) 22487171 Fax: +886 (2) 22450927

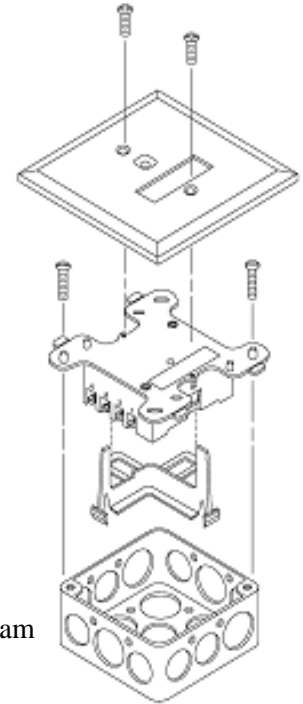
(IDC). A flashing LED indicates that the module is in communication with the control panel. The LED latches steady on alarm (subject to current limitations on the loop).



MMX-7P-E Interface Module Front Plate

Mounting

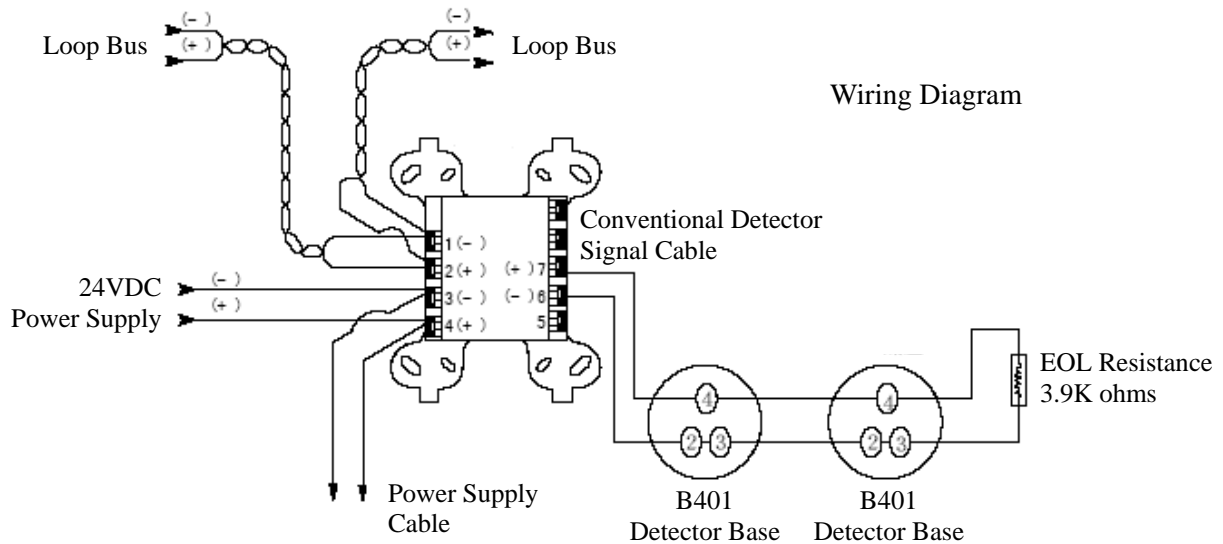
The MMX-7P-E monitor module can be mounted directly to a 50 to 100 mm junction box as shown in the Mounting Diagram.



Mounting Diagram

Wiring

- T1 (-), T2 (+) : Loop communication bus
- T3 (-), T4 (+) : 24VDC power supply
- T5 : N/A
- T6 (-), T7 (+) : Conventional detector signal cable



Wiring Diagram

This document is not intended to be used for installation purposes. We try to keep our product information up-to-date and accurate. We cannot cover all specific applications or anticipate all requirements. All specifications are subject to change without notice. For more information, please contact NOTIFIER. Phone: +886 (2) 22487171 Fax: +886 (2) 22450927

