



FC721

Cerberus™

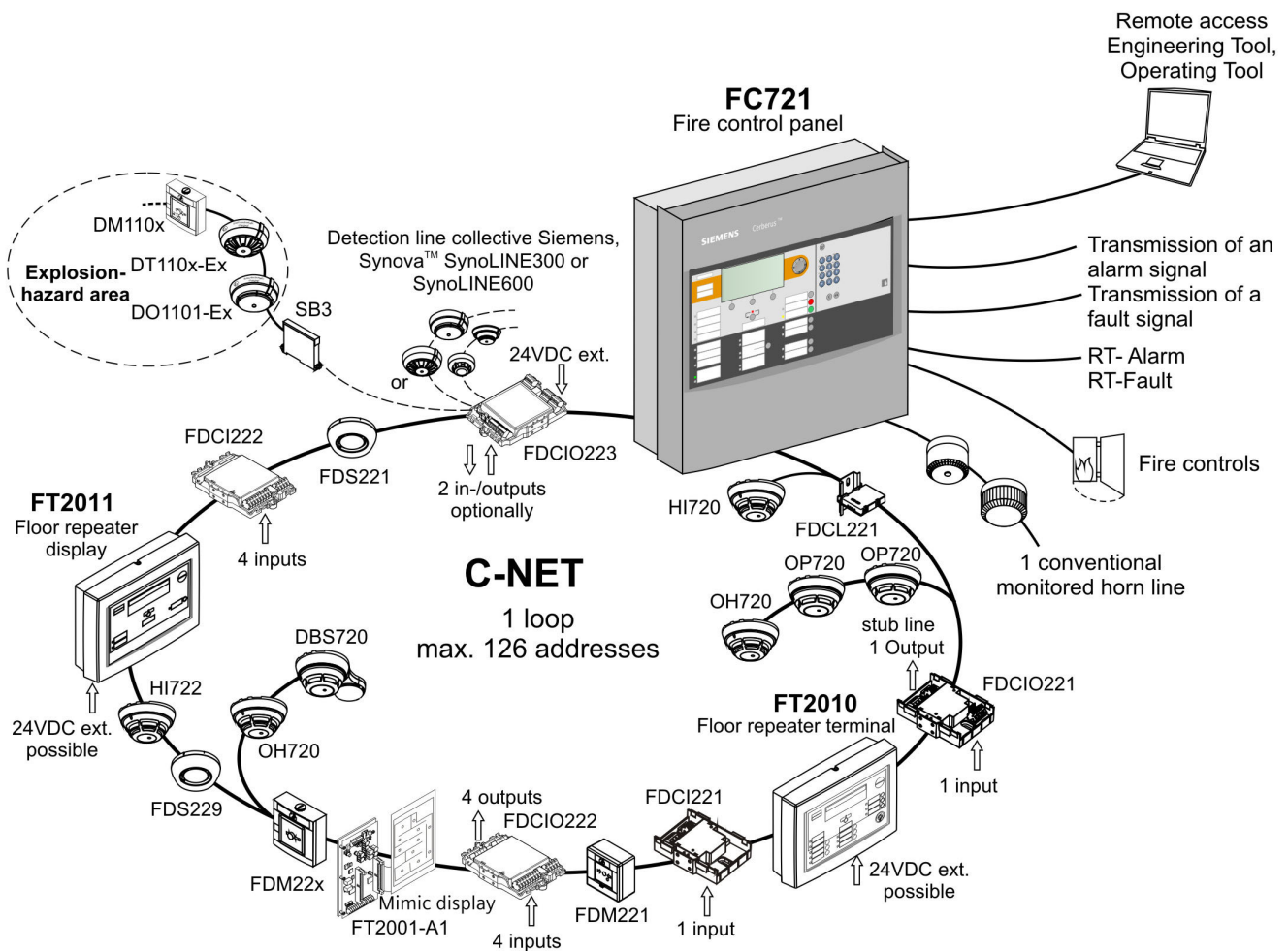
Fire control panel



Series FS720 (MP1XS)

- Compact, prefabricated, microprocessor-controlled fire control panel for the connection of up to 126 addresses
- Fire control panel can be used as stand-alone version
- Integrated emergency operation function
- Fast Ethernet interface for remote control service
- Integrated user-friendly operating unit
- Optional key switch
- Slot for a RS232 or a RS485 serial port
- Emergency power supply for up to 72 h emergency power time
- Detection and automatic read-in (auto configuration) of all C-NET devices, providing immediate simple operation
- Processes signals from the Cerberus FD720 detector series
- Floor repeater displays, operating panels and alarm devices in the detector loop (C-NET)
- Flexible programming of complex applications and controls
- Stored data can be uploaded via remote access
- Firmware download of all processor controlled control panel components

System overview



Characteristics

- The FC721 is a compact fire control panel with an integrated operating unit that can process signals from FD720 devices.
- The control panel can be programmed with the user-friendly Cerberus-Engineering-Tool.
- All detector lines are monitored for ground faults.
- Adaptation of the user text directly on the terminal or with the software engineering tool.
- Up to 2000 events can be stored according to various criteria.
- Automatic summer/winter time change.

Functional elements

Operating unit

The following are located on the operating unit:

- CPU module and the electronics for the operating unit
- Ethernet connection
- Slots for RS232, RS485 modules
- Space for 'Kaba' or 'Nordic' key switch

Periphery board

The following are located on the periphery board:

- Connection terminals for C-NET loops, remote transmission (alarm, fault), horn output, programmable control inputs/outputs, monitored alarm and fault output, degrade supply, power supply

Power supply 70 W, emergency power supply

The power supply supplies the hardware and charges the batteries

- The batteries supply the emergency power in case of power failure

Configuration

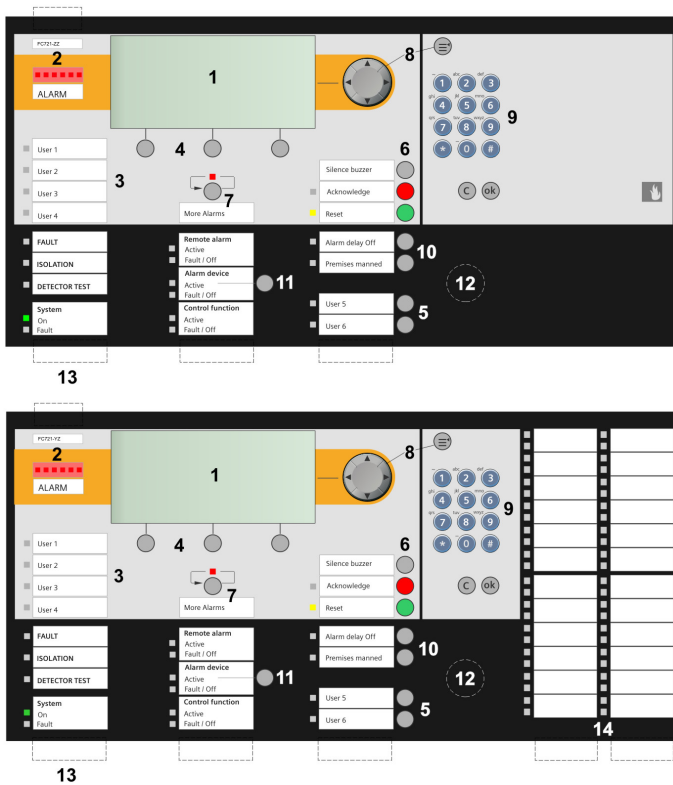
The FXS7212 Cerberus-Engineering-Tool permits the system to be adapted to specific customers' requirements.

Application ranges

The FC721 is ideally suited for smaller applications, e.g. in workshops, hotels, etc.

Display and operating elements

→ Each control panel has an integrated operating unit.



- 1 Large-format, backlit plain text display (LCD 256 x 112 dots) with detailed plain text information for all events that occur
 - Event type, event location, reaction texts, operating status, etc.
 - Operator guidance texts are displayed directly in alarm situations
 - Convenient operation via soft keys and navigation key
- 2 Alarm indicator lights red when an alarm even is received
- 3 4 programmable LEDs and div. display fields
- 4 Soft keys for direct menu operation
- 5 2 operation keys with LEDs, individually programmable
- 6 Keys → 'Buzzer off', 'Acknowledge' message and 'Reset' message
- 7 Key for scrolling through the alarm messages
- 8 Navigation and menu key for the display
- 9 Keypad for numerical and alphanumeric entries such as password, customer text, etc.
- 10 Function keys for alarm organization
- 11 Display and key field for alarming equipment
- 12 Optional key switch for operating access (Kaba or Nordic)
- 13 Label strips inserts.
- 14 With 24 indicator groups with each one red + yellow LED

Overview of FC721 fire control panels

Housing (Eco)

FC721-ZZ



1 Loop
With power supply (70 W)
Battery capacity max. 7 Ah

FC721-YZ

With 24 indicator groups
with each one red + yellow LED



1 Loop
With power supply (70 W)
Battery capacity max. 7 Ah

Expansion

FH7201-Z3

Housing (Eco)
430 x 398 x 80 mm



Empty housing
For various applications e.g.
for event printer

FH7202-Z3

Housing (Standard)
430 x 398 x 160 mm



Empty housing
For various applications e.g.
for additional power supply
Space for batteries
2 x FA2004-A1 (12 Ah) or
2 x FA2006-A1 (26 Ah)
+ Power supply kit (150 W)

Internal printer

FTO2001-A1

Event printer



installable in empty housings
RS232 module must be ordered
separately

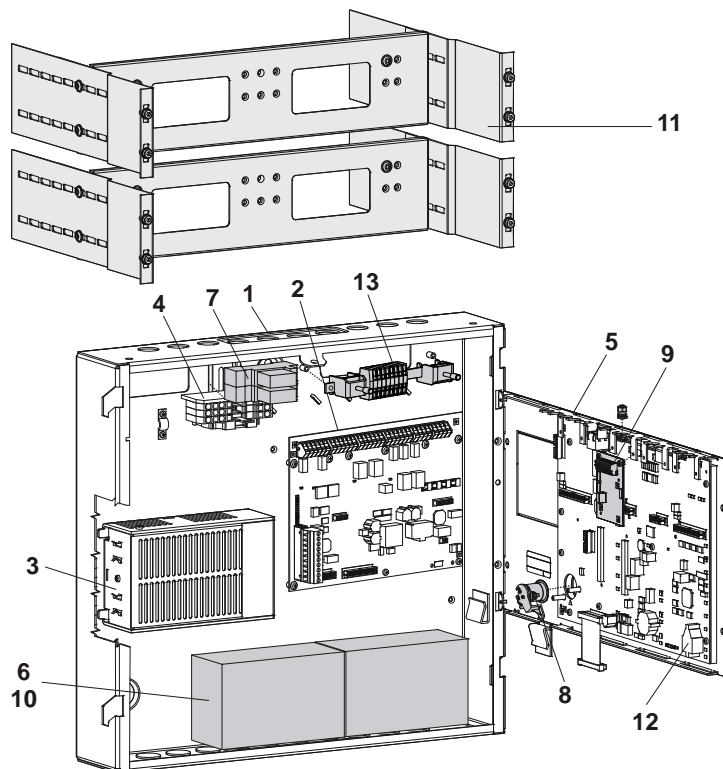
External printer

DL3750+

Matrix printer (Extern)
RS232 interface



RS232 module must be ordered
separately



Basic equipment		Designation	Notes
1	Rear (Eco)	FHA2001-A1	
2	Periphery board (1-Loop)	FCI2010-A1	Pos. 1-5 -> Basic equipment for each FC721 (Eco)
3	Power supply (70 W)	FP2001-A1	
4	Mains terminals on DIN mounting rail TS35	-	Space for 2 relay modules
5	Operating unit	FCM7xx-xx	Combined system operating panel and CPU, incl. cover
6	Space for batteries	-	2 x 12 V / 7 Ah
Expansion			
7	Relay module	Z3B171	Relay for fire controls
8	Key switch (Kaba)	FTO2005-C1	For operating access rights
	Key switch (Nordic)	FTO2006-B1	
9	RS485 module (isolated) or	FCA2002-A1	For peripheral devices with RS485 port
	RS232 module(isolated)	FCA2001-A1	For stations with RS232 port
10	Battery (12V, 7Ah, VDS)	FA2003-A1	For emergency power supply
11	19" mounting kit	FHA2016-A1	For the installation in 3 rd party housings
12	License key L1	FCA2012-A1	For Cerberus-Remote
13	Cable kit (communication)	FCA2014-A1	For flexible cable connections to the modules on the operating unit

Technical data

Mains voltage	85... 265 VAC
Power supply	70 W
Operating voltage	21... 28.6 VDC
Operating current	max. 2.5 A
Battery capacity	2 x 12 V, 7 Ah
Battery monitoring	yes
Mains monitoring	yes
Connectable detector series	Cerberus FD720 (C-NET)
Number of lines	
– Loop or	1
– Stub lines	2
Number of addresses	max. 126
Integrated inputs/outputs	
– Relay output	
– RT alarm	1
– RT fault	1
– Monitored outputs	
– Alarm	1
– Fault	1
– Horn	1
– Free programmable inputs/outputs	4
Operating unit	integrated
Plug-in position for serial interfaces RS232, RS485	1
Mounting place for cable kit (communication)	1
Ethernet connection RJ45	1
Operating temperature	-8... +42 °C
Storage temperature	-20... +60 °C
Humidity (no condensation permitted)	≤95 % rel.
Dimensions (W x H x D)	430 x 398 x 80 mm
Color	
– Housing	grey, ~RAL 7035
– Cover	grey, ~RAL-Design 050 00 00
Protection category (IEC 60529)	IP30
Approvals	
– VdS	pending
– LPCB	pending

Details for ordering

	Type	Part no	Designation	Weight
Fire control panels	FC721-ZZ	S54400-C32-A2	Fire control panel (1L)	8.900 kg
	FC721-YZ	S54400-C32-A3	Fire control panel (1L, 1LED)	9.000 kg
Expansion	Z3B171	BPZ:4843830001	Relay module 250 VAC / 10 A (1 relay)	0.042 kg
	FTO2001-A1	A5Q00010126	Event printer	0.250 kg
	–	A5Q00017619	Replacement printer rolls (10 rolls)	0.090 kg
	FTO2005-C1	A5Q00010113	Key switch (Kaba)	0.013 kg
	FTO2006-B1	A5Q00010129	Key switch (Nordic)	0.050 kg
	FCA2002-A1	A5Q00009923	RS485 module (isolated)	0.067 kg
	FCA2001-A1	A5Q00005327	RS232 module (isolated)	0.068 kg
	FCA2014-A1	A5Q00023027	Cable kit (communication)	0.224 kg
	FH7201-Z3	S54400-B72-A101	Housing (Eco)	5.700 kg
	FH7202-Z3	S54400-B70-A101	Housing (Standard)	7.500 kg
	FHA2016-A1	A5Q00020179	19" mounting kit	3.000 kg
Additional power supply	FP2003-A1	A5Q00016005	Power supply kit (70 W)	0.650 kg
	FP2004-A1	A5Q00020825	Power supply kit (150 W) for installation in empty housing	1.366 kg
Batteries	FA2003-A1	A5Q00019353	Battery (12 V, 7 Ah, VDS)	2.450 kg
	FA2004-A1	A5Q00019354	Battery (12 V, 12 Ah, VDS)	3.930 kg
	FA2006-A1	A5Q00019356	Battery (12 V, 26 Ah, VDS)	7.572 kg
Software license	FCA2012-A1	A5Q00018856	License key (L1)	0.010 kg
External printer	DL3750+	A5Q00023962	Matrix printer (Extern)	7.300 kg
Spare part	–	A5Q00023963	Black typewriter ribbon for matrix printer DL3750+	0.078 kg